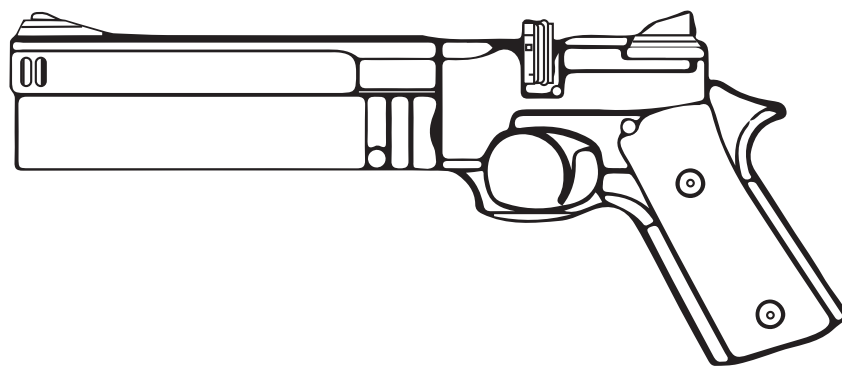




## User Instruction Manual

# AP16 PRECHARGED PNEUMATIC AIR PISTOLS



**Maximum Fill pressure: 300 bar (approximately 4,350 psi)**

**BRAND:** Ataman  
**DESCRIPTION:** PCP Airgun

**READ ALL INSTRUCTIONS AND WARNINGS IN THIS MANUAL BEFORE USING THIS AIRGUN.  
THIS INFORMATION COULD SAVE YOUR LIFE AND THE LIVES OF OTHERS.**

**! WARNING:** NOT A TOY. ADULT SUPERVISION REQUIRED. MISUSE OR CARELESS USE MAY CAUSE SERIOUS INJURY OR DEATH. MAY BE DANGEROUS UP TO 1000 YARDS (915 METERS).

**THIS IS A HIGH POWERED AIRGUN INTENDED FOR USE BY THOSE 18 YEARS OF AGE OR OLDER.**  
READ ALL INSTRUCTIONS BEFORE USING. BUYER AND USER HAVE THE DUTY TO OBEY ALL LAWS ABOUT THE USE AND OWNERSHIP OF THIS AIRGUN.

**! WARNING:** DO NOT BRANDISH OR DISPLAY THIS AIRGUN IN PUBLIC; IT MAY CONFUSE PEOPLE AND MAY BE A CRIME. POLICE AND OTHERS MAY THINK IT IS A FIREARM. DO NOT CHANGE THE COLORATION OR MARKINGS TO MAKE IT LOOK MORE LIKE A FIREARM. THAT IS DANGEROUS AND MAY BE A CRIME.

**CAUTION:** YOU AND OTHERS WITH YOU SHOULD ALWAYS WEAR SHOOTING GLASSES TO PROTECT YOUR EYES.

**CAUTION:** ALWAYS USE THE CORRECT CALIBER AMMUNITION THAT IS SUITABLE FOR THE AIRGUN. USE ONLY AMMUNITION DESIGNED FOR THIS AIRGUN.

Congratulations on your purchase of the **Ataman Precharged Pneumatic Air Pistol**. Please read this instruction manual completely. Always carefully follow the safety instructions found in this manual and keep this manual in a safe place for future use.

| CONTENTS                                               |
|--------------------------------------------------------|
| 1. Rules of Safe Shooting                              |
| 2. Learning the Parts of the PCP Airgun                |
| 3. Overview of Pistol Function                         |
| 4. Operating the Safety                                |
| 5. Fill/Charge Airgun Cylinder                         |
| 6. Fill/Charge Airgun with High Pressure Charging Tank |
| 7. Uncocking                                           |
| 8. Loading the Magazine                                |
| 9. Installing the Magazine                             |
| 10. Firing the Air Pistol                              |
| 11. Lockwork Trigger Adjustments                       |
| 12. Storage of the Airgun                              |
| 13. Troubleshooting                                    |
| 14. Specifications                                     |
| 15. Warranty                                           |
| 16. Customer Service                                   |
| 17. Company Contact Information                        |

# 1. Rules of Safe Shooting

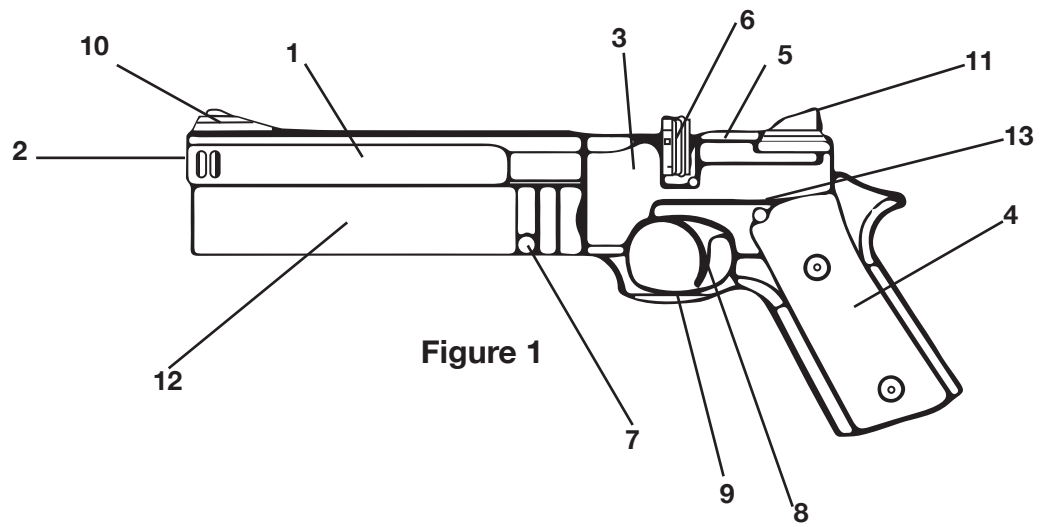
- **NEVER** point the airgun at any person.
- **NEVER** point the airgun at anything you do not intend to shoot.
- **ALWAYS** treat the airgun as if it was loaded and handle it with the same respect you would a firearm.
- **ALWAYS** aim in a SAFE DIRECTION. **ALWAYS** keep the muzzle pointed in a SAFE DIRECTION.
- **NEVER** put any part of your hand over the muzzle.
- **ALWAYS** keep the airgun **ON “SAFE”** until you are ready to shoot in a SAFE DIRECTION.
- Check behind and beyond your target to be certain you have a safe backstop and that no person or property can be endangered.
- Place the backstop in a location that will be safe should the backstop fail.
- Replace the backstop if it becomes worn.
- **ALWAYS** be sure of your target and what lies beyond it in case you miss.
- **NEVER** shoot at hard surfaces, water or anything else that may cause a ricochet.
- This airgun may only be used where your local laws permit or at shooting ranges allowed by the law, and only if the ammunition does not travel further than the shooting area. Keep in mind the maximum range of the ammunition. **ALWAYS** abide by laws and regulations that apply to airguns.
- **ALWAYS** check to see if the airgun is ON “SAFE” and unloaded when getting it from another person or from storage.
- **ALWAYS** keep your finger off the trigger and away from the trigger guard until ready to shoot.
- You and others with you should **ALWAYS** wear safety shooting glasses to protect your eyes.
- If your reading or prescription glasses are not certified safety glasses, make sure you wear shooting glasses over your regular glasses.
- The shooter and everyone in the vicinity should wear hearing protection when shooting **and** filling guns with high-pressure air.
- **NEVER** load your gun until you’re ready to shoot and it’s safe to do so.
- **ALWAYS** use the correct caliber ammunition that is suitable for the airgun. Use **ONLY** ammunition designed for this airgun.
- **NEVER** reuse ammunition.
- **ALWAYS** store the airgun with the safety ON “SAFE” , unloaded, uncocked, separated from the ammunition, out of the reach of children, and in a secure location to prevent unauthorized people from accessing it.
- **DO NOT** attempt to disassemble or tamper with the airgun.
- **DO NOT** put the airgun away loaded. **It is, however recommended that you store your airgun with at least 1,000 psi of high-pressure air.**
- **ALWAYS** store this airgun in a safe location.
- **ALWAYS** store ammunition separately from the gun.
- **NEVER** leave the airgun loaded if it is out of your reach.
- **ALWAYS** unload the airgun before giving it to someone else.
- **ALWAYS** read and follow the manufacturer’s manual and instructions.
- **NEVER** let a person who has not completely read this manual use this product.

# 2. Learning the Parts of the PCP Airgun

Learning the names of the parts of your new PCP Airgun will help you to understand the instruction manual.

**Figure 1 - Air Pistol**

1. Barrel Unit
2. Muzzle
3. Receiver
4. Handle
5. Side Lever
6. Magazine
7. Fill Port
8. Trigger
9. Trigger Guard
10. Front Sight
11. Rear Sight
12. Air Cylinder
13. Safety



## 3. Overview of Pistol Function

Follow these steps to conduct a standard check before shooting the pistol

- 3.1** Inspect the cylinder for damages (dents, deep scratches). If there are any defects, it is **STRICTLY** prohibited to use the pistol due to the possibility of structural failure of the product and injuries.
- 3.2** Check the gripping of the screws attaching the barrel to the receiver. Do not tighten the screws with excessive force, the gripping must be up to 6 N\*m to avoid any damage.
- 3.3** Check the gripping of the screw attaching the handle to the pistol. The screw must be tightened without excessive force – up to 6 N\*m.

Overview of pistol function

- 3.4** When the lever is pulled, the bolt is moved back, cocking the hammer. Simultaneously the magazine rotates one chamber.
- 3.5** When the bolt is moved forward, the bolt probe pushes a pellet into the barrel and places it beyond the transfer port.
- 3.6** In the forward-most position the bolt is held in place by a detent.
- 3.7** Pulling the trigger releases the hammer from the sear. Affected by the hammer spring, the hammer then moves forward and hits the valve stem. The valve opens, and a portion of air enters the barrel through the transfer port, causing a shot.
- 3.8** After the shot is made, the pressure regulator opens, and the compressed air moves from the cylinder to the accumulation chamber filling it up until the preset level of pressure is reached. The cycle is repeated for further firing.

## 4. Operating the Safety

**! WARNING:** BE SURE THE AIRGUN IS ALWAYS POINTED IN A SAFE DIRECTION. NEVER POINT THE AIRGUN AT ANYONE EVEN IF IT IS UNLOADED. ALWAYS ASSUME AND HANDLE THE AIRGUN AS IF IT WERE LOADED AND READY TO FIRE.

**NOTE:** ALWAYS think about safety first. Take your time. If you are uncertain how to proceed, stop and contact Air Venturi for assistance! **Air Venturi service line: 216-220-1180**

**TIP:** To become familiar with the safety, practice putting it on and off several times while the gun is unloaded.

**NOTE:** The pistol must be cocked to put the gun on safe.

#### 4.1 Put the Airgun ON "SAFE"

- **ALWAYS** point the airgun in a safe direction.
- Locate the cross-bolt safety lock on the **RIGHT** side of the gun, directly behind the trigger as shown in Figure 2.
- Cock the sidelever.
- Push the bolt completely to the **LEFT** and the safety locks clicks. The gun is now On "SAFE".
- The gun **IS NOT** ON "SAFE" if the bolt is not flush with the right side of the action.

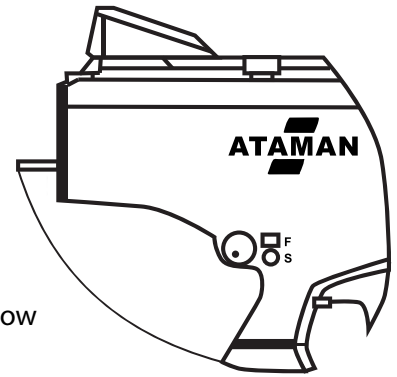


Figure 2

**NOTE:** If the pistol is double-loaded by mistake, remove the magazine from the pistol, close the bolt, point the pistol at a safe target, and when safe to do so, fire the pistol to remove the pellet(s).

When not in use, the pistol should be unloaded and uncocked. Remove the magazine and leave the lever closed and uncocked when not in use.

To prevent unauthorized use, store the magazine and pellets separate from the air pistol.

**CAUTION:** LIKE ALL MECHANICAL DEVICES, AN AIRGUN SAFETY CAN FAIL. EVEN WHEN THE SAFETY IS ON "SAFE", YOU SHOULD CONTINUE TO HANDLE THE AIRGUN SAFELY. NEVER POINT THE AIRGUN AT ANY PERSON. NEVER POINT THE AIRGUN AT ANYTHING YOU DO NOT INTEND TO SHOOT.

#### 4.2 Take the Airgun OFF "SAFE"

- **ALWAYS** point the airgun in a safe direction.
- Locate the cross-bolt safety lock on the **LEFT** side of the gun, directly behind the trigger as shown in Figure 2.
- Push the bolt completely to the **RIGHT**. The gun is now OFF "SAFE" and ready to fire.
- The airgun is OFF "SAFE" and ready to fire when the bolt fully protrudes on the right side of the action.

**! WARNING:** KEEP THE AIRGUN ON SAFE UNTIL YOU ARE READY TO SHOOT, THEN PUSH THE SAFETY OFF.

## 5. Fill/Charge Airgun Cylinder with Hand Pump

**! WARNING:** FILL YOUR PCP AIRGUN USING COMPRESSED AIR OR NITROGEN GAS ONLY. USE OF OTHER GASES, INCLUDING OXYGEN, CAN CAUSE A FIRE OR EXPLOSION THAT MAY RESULT IN PROPERTY DAMAGE, SERIOUS INJURY OR DEATH.

**! WARNING:** DO NOT FILL AIRGUN WITH OXYGEN OR ANY GAS OTHER THAN COMPRESSED AIR OR NITROGEN GAS! FILLING WITH ANYTHING OTHER THAN AIR IS DANGEROUS AND WILL VOID YOUR WARRANTY.

**! WARNING:** DO NOT EXCEED MAXIMUM FILL PRESSURE OF 300 bar/4,350 psi AT ROOM TEMPERATURE!

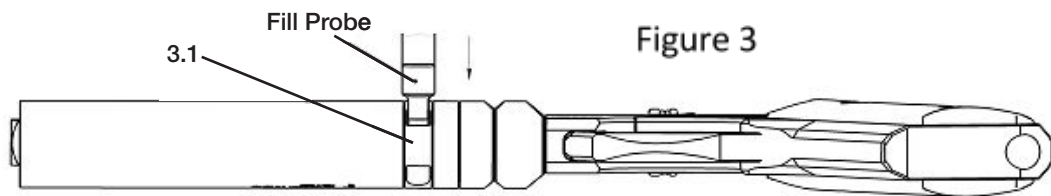
**NOTE:** To ensure safe operation, avoid distractions such as children or animals when refilling your pistol. Be sure the pistol is unloaded before filling. Wear safety glasses and hearing protection when filling with high-pressure air.



**CAUTION: NEVER FILL YOUR AIRGUN OVER 300 BAR / 4,350 PSI. THIS IS DANGEROUS AND WILL VOID THE WARRANTY.** In an over-filled condition (above 300 bar/4,350 psi), the regulator may malfunction and cause the pistol to fire at a much lower velocity.

**NOTE:** If at any point in time, the cylinder is empty before filling, be sure to cock the pistol prior to fill it. It is recommended to apply a thin layer of silicon to the fill probe seals.

**NOTE:** Do not bend the filling hose while charging.



- 5.1 Cock the bolt by pulling the lever into the rearmost position.
- 5.2 Move the safety into the "SAFE" position.
- 5.3 Locate the fill port at the end of the air reservoir cylinder below the barrel as shown in Figure 3.1.
- 5.4 Lay the airgun next to the hand pump, making sure the airgun is pointed in a SAFE DIRECTION.
  - The pump should be within easy reach of the fill port of the airgun.
- 5.4 Hand-tighten the bleeder valve on the base of the hand pump.
- 5.5 Carefully insert the fill probe into the airgun's exposed fill port. Do not apply excessive force when inserting and removing the nozzle in order not to damage the O-rings.
- 5.6 Put 12 pump strokes into the airgun. This should prime the pump hose enough so you can take an initial reading of the airgun's current pressure level from the integrated pressure gauge (manometer).
- 5.7 Begin pumping in 20 stroke sets, taking a reading each time of the pressure level on the manometer, and allowing at least a 2-minute cooling period between each set, especially when the pressure reaches 172 bar/2,500 psi.
  - DO NOT exceed 300 bar/4,350 psi.
  - The best technique to operate the pump is to use your upper body weight to push down on the pump, keeping your arms rigid. This method is less fatiguing than using only the strength of your arms to push the pump handle.
- 5.8 Once your pistol has reached the desired pressure, open the bleeder valve on the base of the pump.
  - You will hear a loud rush of air (and maybe see some water vapor) escape from the small hole in the base of the pump.
  - You may now safely remove the pump's probe adapter from the pistol's fill port.

**CAUTION:** Disconnecting the fill hose from the airgun without first bleeding the air may result in injury from hose whip as a result of pressure in the fill hose.

## 6. Fill/Charge Airgun w/High Pressure Charging Tank

**! WARNING:** FILL YOUR PCP AIRGUN USING COMPRESSED AIR OR NITROGEN GAS ONLY. USE OF OTHER GASES, INCLUDING OXYGEN, CAN CAUSE A FIRE OR EXPLOSION THAT MAY RESULT IN PROPERTY DAMAGE, SERIOUS INJURY OR DEATH.

**! WARNING:** DO NOT FILL AIRGUN WITH OXYGEN OR ANY GAS OTHER THAN COMPRESSED AIR OR NITROGEN GAS! FILLING WITH ANYTHING OTHER THAN AIR IS DANGEROUS AND WILL VOID YOUR WARRANTY.

**! WARNING:** DO NOT EXCEED MAXIMUM FILL PRESSURE OF 300 bar/4,350 psi AT ROOM TEMPERATURE!

**! WARNING:** DISCONNECTING THE FILL HOSE FROM THE AIRGUN WITHOUT FIRST BLEEDING THE AIR MAY RESULT IN INJURY FROM HOSE WHIP DUE TO PRESSURE IN THE FILL HOSE.

**NOTE:** To ensure safe operation, avoid distractions such as children or animals when refilling your pistol. Be sure the pistol is unloaded before filling. Wear safety glasses and hearing protection when filling with high-pressure air.



**CAUTION: NEVER FILL YOUR AIRGUN OVER 300 BAR / 4,350 PSI. THIS IS DANGEROUS AND WILL VOID THE WARRANTY.** In an over-filled condition (above 300 bar/4,350 psi), the regulator may malfunction and cause the pistol to fire at a much lower velocity.

**CAUTION: DO NOT TRY TO REPAIR THE AIRGUN OR TO DISASSEMBLE IT TO CORRECT AN OVERVILL OR VALVE LOCK.**

**NOTE:** If at any point in time, the cylinder is empty before filling, be sure to cock the pistol prior to fill it. It is recommended to apply a thin layer of silicon to the filling nozzle seal occasionally.

- 6.1 Locate the fill port at the end of the air reservoir tube below the barrel, shown in Figure 3.
- 6.2 Lay the airgun next to the charging tank, making sure the airgun is pointed in a SAFE DIRECTION.
  - The tank or charging station should be within easy reach of the fill port of the airgun.
- 6.3 Hand-tighten the bleeder valve on the hose.
- 6.4 Carefully insert the fill probe into the airgun's exposed fill port. Do not apply excessive force when inserting and removing the nozzle in order not to damage the O-rings.
- 6.5 Open the main valve of the scuba tank or PCP charging station to allow a SLOW, CONTROLLED infusion of air.
- 6.6 Continue by watching the pressure level on the manometer, especially when the pressure reaches 172 bar/2,500 psi.
  - DO NOT exceed 300 bar/4,350 psi.
- 6.7 Once your pistol has reached the desired pressure, close the main valve on the scuba tank or PCP charging station.
  - DO NOT exceed 300 bar/4,350 psi.
- 6.8 Open the bleed valve.

- You will hear a loud rush of air (and maybe see some water vapor) escape from the bleed valve.
- You may now safely remove the fill probe adapter from the pistol's fill port.

## 7. Uncocking

### 7.1 Uncocking the Airgun

- With the airgun pointed in a SAFE DIRECTION, draw the sidelever rearward – slightly past its stopping point so that you feel some resistance.
- Remove the magazine from the pistol.
- Still holding the side lever securely, pull the trigger.
  - You will feel the side lever pull in, towards the closed position.
- Gently ease the side lever toward the closed position.
- Pull the trigger to confirm the pistol is NOT in firing mode.

**NOTE:** The airgun will NOT be harmed if it is dry-fired.

## 8. Loading the Magazine

**! WARNING:** DO NOT INHALE DUST FROM LEAD PROJECTILES OR PUT THEM IN YOUR MOUTH. WASH HANDS AFTER HANDLING LEAD. LEAD PELLETS CONTAIN LEAD, A CHEMICAL KNOWN TO THE STATE OF CALIFORNIA TO CAUSE CANCER AND BIRTH DEFECTS (OR OTHER REPRODUCTIVE HARM).

**! WARNING:** USE THE CORRECT AMMUNITION SIZE FOR YOUR AIR PISTOL MODEL. NEVER REUSE AMMUNITION. THE USE OF ANY OTHER KIND OF AMMUNITION MAY CAUSE INJURY TO YOU OR DAMAGE TO YOUR PISTOL.

**CAUTION:** ALWAYS point the airgun in a SAFE DIRECTION.

### 8.1 Loading the magazine

- Insert pellets one at a time into each of the 7 chambers. Be sure to press each pellet into the chamber until it is retained by the o-ring.

**NOTE:** Make sure the pellets do not protrude from either end of the magazine. Some pellets may be too long to use in the magazine.

**NOTE:** Do not use deformed or dirty pellets. Do not reuse ammunition. Do not use ammunition that protrudes beyond the drum chambers.

**NOTE:** In order to avoid pellets falling out while being loaded into the magazine drum chambers, it is useful to monitor how tight the seal ring is. If necessary, lubricate the ring; or replace the ring if damaged.



## 9. Installing the Magazine

- 9.1 Open the bolt and insert the magazine from the left side of the air pistol.
- 9.2 Rotate the magazine slightly until it clicks into position.
- 9.2 Close the side lever, pushing a pellet from the magazine into the barrel.
- 9.3 Point the pistol in a SAFE direction and take a shot.
- 9.4 Opening the side lever indexes the magazine, revealing the next chambers.
- 9.5 After the last shot, repeat the magazine loading procedures from step 7.

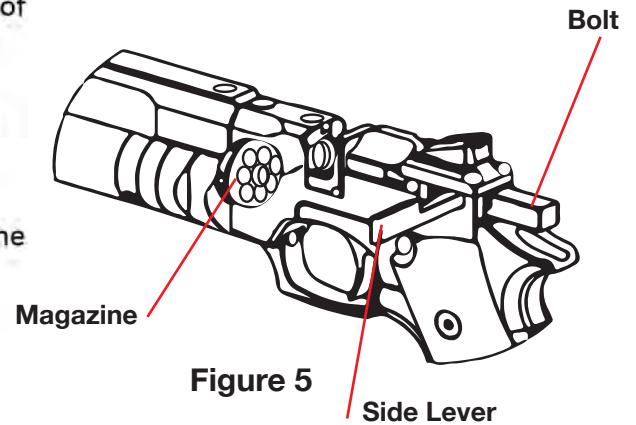


Figure 5

Side Lever

## 10. Firing the Air Pistol

- 10.1 Pull the lever into the rearmost position.
- 10.2 Close the side lever, (this will load a pellet into the barrel).
- 10.3 Smoothly pull the trigger and shoot.
- 10.4 Repeat steps 10.1 through 10.4 for subsequent shots.
- 10.5 Monitor the gauge pressure in the cylinder. If it is below its operating level, charge the pistol with compressed air.

## 11. Lockwork Trigger Adjustments

**CAUTION:** Take care when adjusting the pull weight. If adjusted too light, the gun may not cock or it could fire upon closing the cocking mechanism. Always be sure to keep the pistol pointed in a safe direction.

**Trigger weight is adjusted with screw 3.** Clockwise to increase weight. **Trigger position is adjusted with screw 2.** Adjusting this screw too far clockwise may cause the gun to not cock. **The secondary sear pull is adjusted via screw 4.** Clockwise rotation decreases the pull.

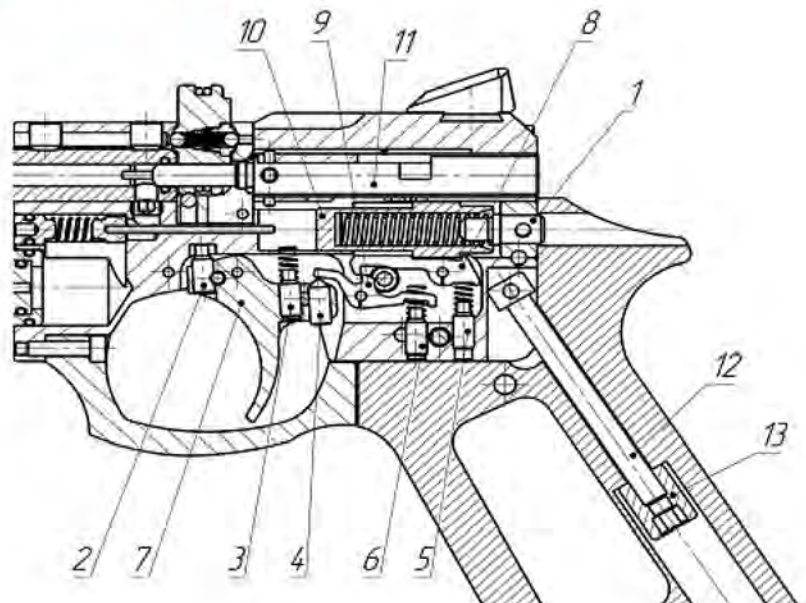


Figure 6

1. Velocity adjustment screw
2. Trigger pull adjustment screw
3. Trigger weight adjustment screw
4. Secondary sear pull adjustment screw
5. Sear pull adjustment screw
6. Secondary sear pull adjustment screw
7. Trigger
8. Sear
9. Secondary sear

10. Hammer
11. Bolt
12. Handle screw
13. Handle screw nut

**NOTE:** After adjusting the trigger settings, it is recommended that you check the performance. To do this:

- Dry fire the pistol several times to ensure the trigger is working safely at the new settings.
- Move the safety between “SAFE” and “FIRE” to ensure the safety is still functioning properly.

## 12. Storage of the Airgun

- ALWAYS store the airgun with the ammunition removed and the safety on.
- The pistol must be stored and transported only with the hammer de-cocked and without a pellet in the barrel! Carefully check that there is no ammunition in the barrel.
- KEEP THE AIRGUN OUT OF THE REACH OF CHILDREN and users not familiar with its use. Store the airgun separately from the ammunition.
- It is recommended that you store your PCP airgun with at least 1,000 psi of high-pressure air.
- There must not be any oil in the hammer and the hammer chamber. Other metal parts must have a thin layer of grease without any streaks and spots.
- Use silicone lubrication, not oil-based.
- It is possible to store the pistol depressurized, but it may be necessary to disassemble the cylinder and lubricate all the rubber seals before using.
- Use the screw to decompress the pistol before flying an airplane.

## 13. Troubleshooting

**CAUTION:** It is mandatory to learn the Rules of Safe Shooting (section 1) if you troubleshoot on your own.

### 13.1 The pistol doesn't shoot

- Make sure the pistol is pre-charged with compressed air.
- Make sure the hammer is cocked when the bolt is opened.
- Check if there are any pellets in the barrel from the previous shooting.
- If necessary, push them out using a cleaning brush in the direction of the muzzle end, having removed the barrel unit.

### 13.2 The pistol isn't cocked when the bolt is open

- Check the bolt pathway.
- If necessary, clean the dirt off the bolt pathway and the bolt.
- Loosen the firing action spring by loosening the velocity adjustment screw (Fig. 6, number 1).

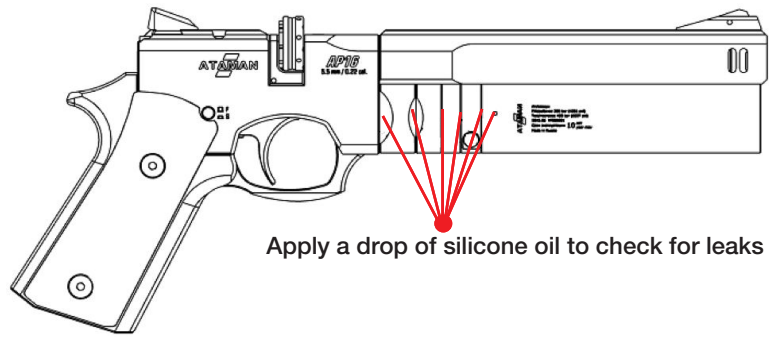
### 13.3 Muzzle velocity gaps are more than 1%

- Check the hammer way for foreign objects, grease, dirt, and remove if necessary.
- Use higher-quality pellets.
- Make sure that all the lockwork springs are set in the required direction.
- Increase the interval between shots to 10-30 seconds.

### 13.4 The pistol slowly drains the air out

- Locate the leaking point.

- Apply silicone based oil to the places shown on Fig. 7. Foam or bubbles will appear at the leaking place.
- Replace the damaged seal if necessary.
- Once replaced, apply a drop of silicone based oil to check for further leaking.
- Make several blank shots to remove dirt from the valve.



**Fig. 7 – Leaking check**

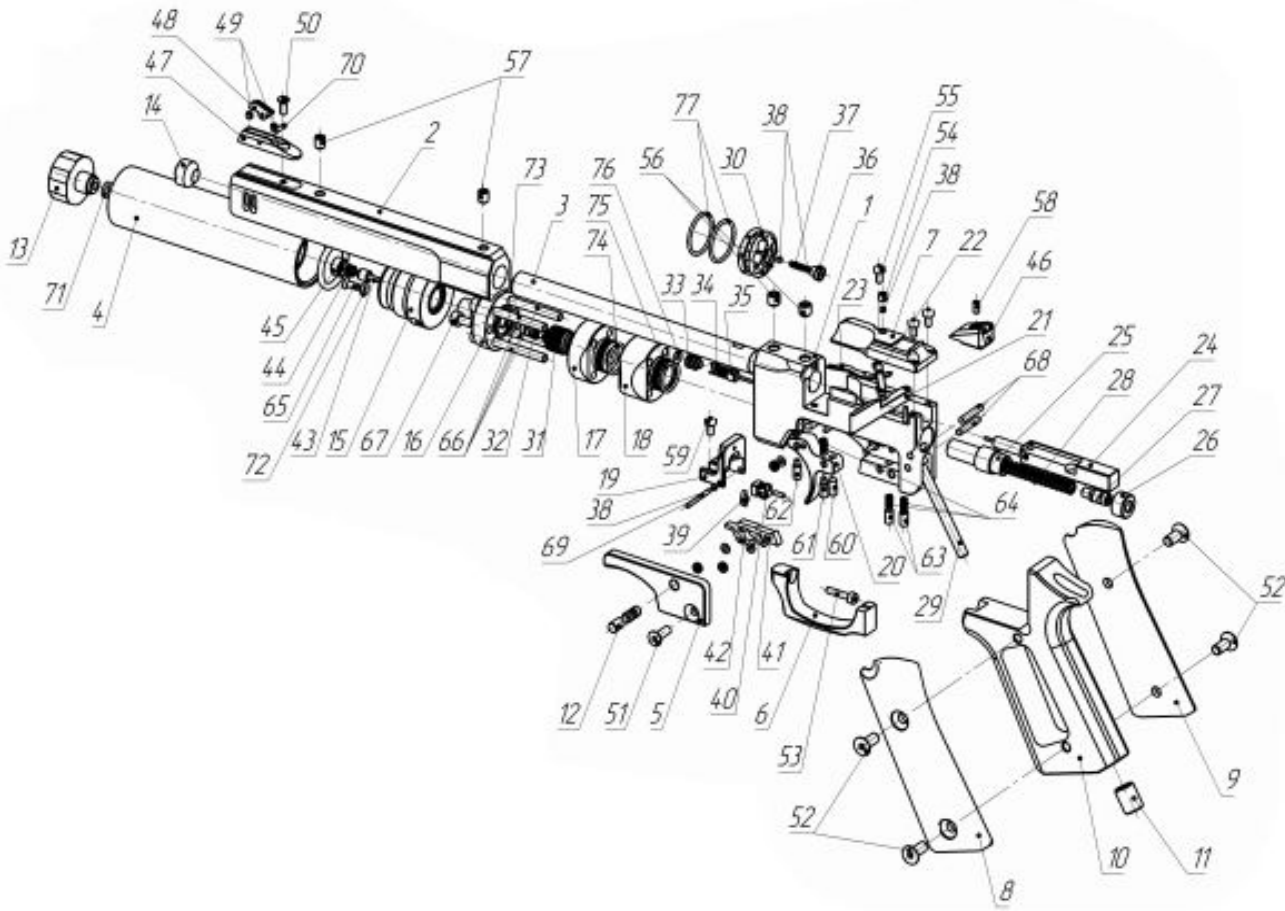
### **13.5 Accuracy decrease**

- Clean the barrel.
- Use higher-quality pellets.
- Check the fit of the barrel to the receiver, and the fit of the shroud unit on the barrel.

### **13.6 The pistol is not charged although the air is delivered from the attached nozzle**

- Replace the nozzle or its seals.

# 14. Specifications



|    |                    |    |                      |    |                       |    |                       |    |                     |
|----|--------------------|----|----------------------|----|-----------------------|----|-----------------------|----|---------------------|
| 1  | Receiver           | 16 | Regulator flange     | 31 | Regulator piston      | 46 | Back sight            | 61 | M4x10 DIN 915 screw |
| 2  | Shroud             | 17 | Regulator casing     | 32 | Nozzle screw          | 47 | Foresight casing      | 62 | M3x3 DIN 913 screw  |
| 3  | Barrel             | 18 | Accumulation Chamber | 33 | Valve plug            | 48 | Foresight             | 63 | M3x8 DIN 7991 screw |
| 4  | Cylinder tube      | 19 | Switch casing        | 34 | Valve spring          | 49 | Firing trigger spring | 64 | M4x25 DIN 912 screw |
| 5  | Receiver cover     | 20 | Trigger              | 35 | Valve                 | 50 | M3x6 DIN 7991 screw   | 65 | M4x8 DIN 912 screw  |
| 6  | Handguard          | 21 | Lever                | 36 | Magazine axis         | 51 | M4x12 DIN 7991 screw  | 66 | 3x17.8 pin          |
| 7  | Bolt cover         | 22 | Piston rod           | 37 | Magazine spring       | 52 | M5x12 DIN 7991 screw  | 67 | 2x19.8 pin          |
| 8  | Left pad           | 23 | Balancing lever      | 38 | Ball (3.0)            | 53 | M3x12 DIN 912 screw   | 68 | 2x7.8 pin           |
| 9  | Right pad          | 24 | Bolt                 | 39 | Magazine pawl         | 54 | M4x4 DIN 913 screw    | 69 | 5x1.5 O-ring        |
| 10 | Handguard          | 25 | Hammer               | 40 | Magazine pawl holder  | 55 | M3x8 DIN 912 screw    | 70 | 3.5x1.5 O-ring      |
| 11 | Handle nut         | 26 | Receiver nut         | 41 | Sear                  | 56 | M6x5 DIN 913 screw    | 71 | 5.5x1.5 O-ring      |
| 12 | Safety lock        | 27 | Adjustment screw     | 42 | Secondary sear        | 57 | M5x6 DIN 913 screw    | 72 | 13x1.5 O-ring       |
| 13 | Pressure indicator | 28 | Hammer spring        | 43 | Cylinder valve        | 58 | M3x6 DIN 913 screw    | 73 | 8.5x1.5 O-ring      |
| 14 | Cutter             | 29 | Handle screw         | 44 | Cylinder valve spring | 59 | M3x6 DIN 912 screw    | 74 | 19x1.5 O-ring       |
| 15 | Cylinder plug      | 30 | Magazine             | 45 | Valve plug            | 60 | M4x10 DIN 914 screw   | 75 |                     |

# 15. Warranty

## **One-Year Limited Warranty:**

Your Air Venturi airgun is manufactured to the highest possible standards, using the finest materials to give a lifetime of service. In the unlikely event there are any defects in materials or workmanship in the first twelve (12) months after retail purchase, we will repair or replace the defective items under warranty.

## **What is covered?**

Replacement parts and labor. Transportation charges to consumer for repaired product.

## **What is NOT covered?**

- Any damage or faults caused by owner misuse, action or inaction.
- Transportation charges to Air Venturi for defective products.
- Damages caused by abuse or failure to perform normal maintenance.
- Any other expense.
- Parts subject to normal wear and tear.
- Consequential damages, incidental damages or incidental expenses including damage to property.

This warranty is in addition to your statutory rights. Retain your sales receipt as proof of purchase.

**NOTE:** Some states do not allow the exclusion or limitation of incidental or consequential damages, so the above limitation or exclusion may not apply to you.

## **Warranty claims:**

Warranty claims for U.S. and Canadian customers.

Call Air Venturi at 216-220-1180 before returning any product.

## **Implied warranties:**

Any implied warranties, including the implied warranties of merchantability and fitness for a particular purpose, are limited in duration to one year from date of retail purchase.

**NOTE:** Some states do not allow limitations on how long an implied warranty lasts, so the above limitation may not apply to you.

To the extent any provision of this warranty is prohibited by federal, state or municipal law, which cannot be preempted, it shall not be applicable. This warranty gives you specific legal rights, and you may also have other rights, which vary from state to state and country to country.

Illustrations and photographs are for information purposes only and may not show the exact model you purchased.

## **The warranty shall be invalid if the PCP Airgun:**

- Has been incorrectly disassembled, reassembled or maintained.
- Has been fitted with non-Air Venturi parts.
- Has been abused, misused or improperly stored.
- Original purchase receipt cannot be presented.

## 16. Customer Service

In the unlikely event your pistol malfunctions, DO NOT ATTEMPT TO FIX THE PROBLEM YOURSELF. Please call Air Venturi so we can address any issues or have you return the pistol for repair.

**Air Venturi service line: 216-220-1180**

## 17. Company Contact Information



**Air Venturi  
5135 Naiman Parkway  
Cleveland, OH 44139  
216-220-1180**

**For assistance, technical support or warranty claims,  
contact the Air Venturi service line: 216-220-1180**