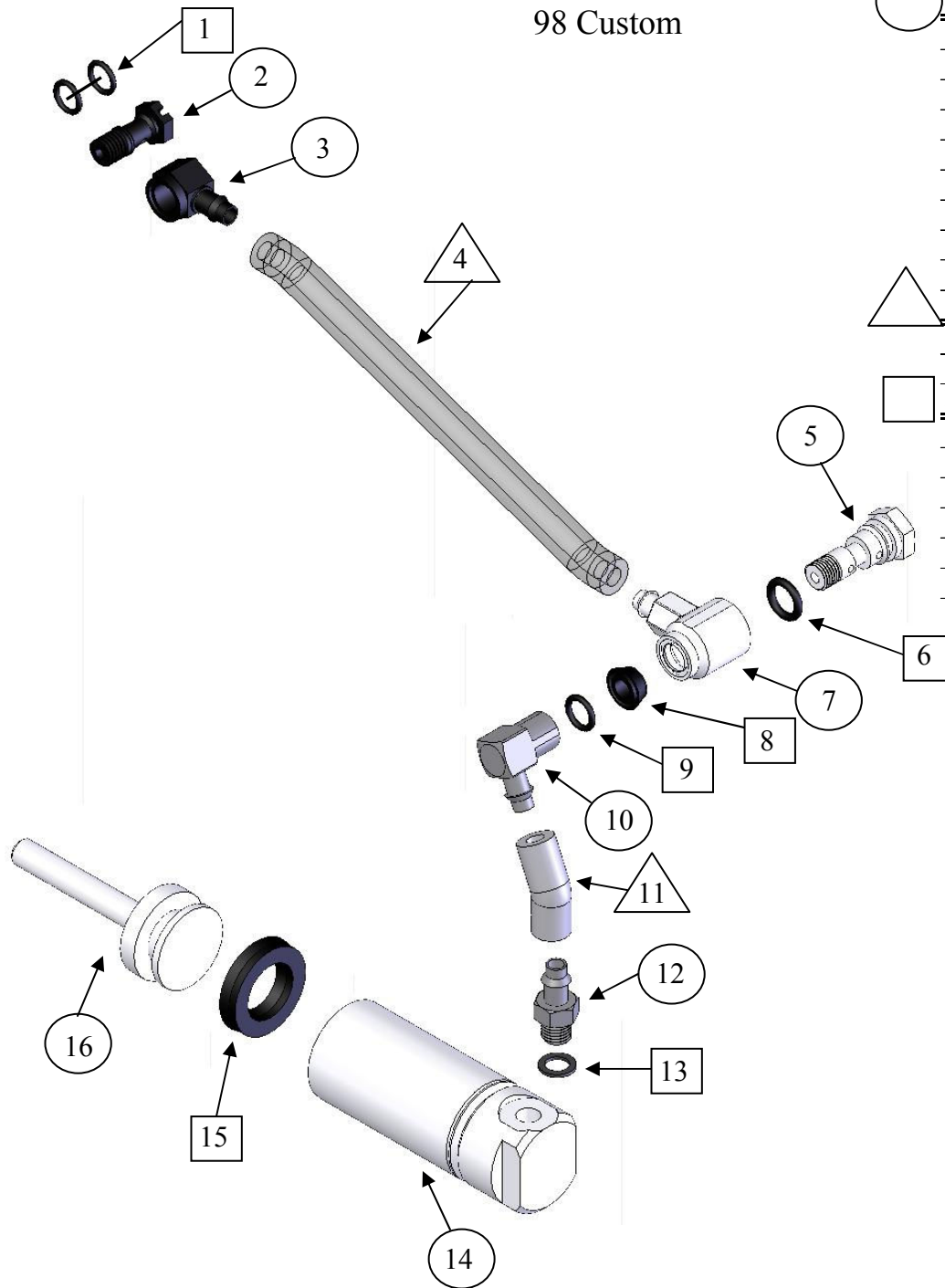

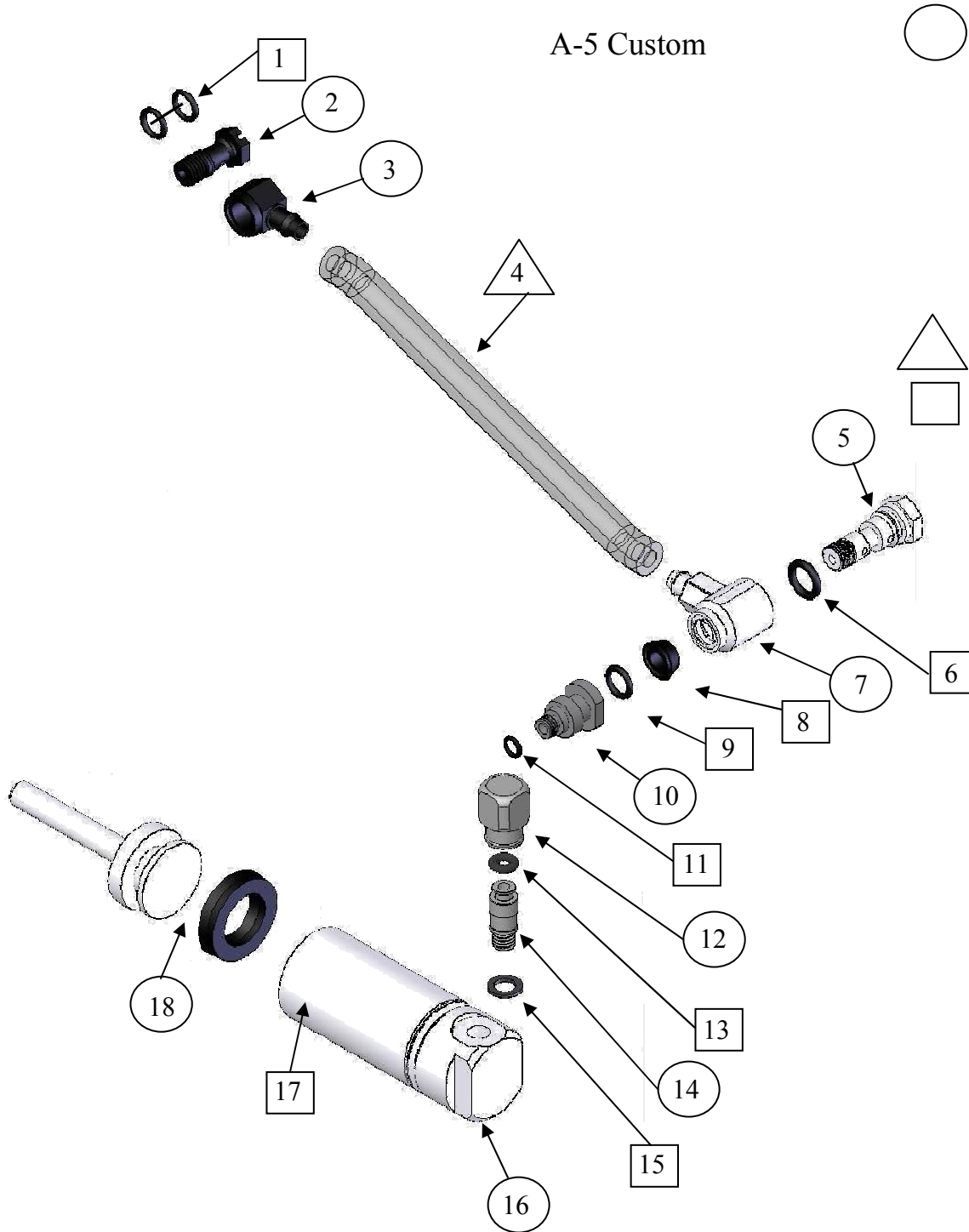


98 Custom



○ Take to nearest metal recycling facility.	
Part No.	Description
2 20-07	Banjo Fitting, Screw
3 20-07	Banjo Fitting, Body
5 20-03	Flow Control Adj. Screw
7 20-03	Flow Control Body
10 20-04	Female Elbow, Rt
12 20-05	RT Hose Barb
14 20-02N	RT Piston Body
16 20-02N	Piston
△ Take to nearest plastic recycling facility that accepts 	
4 20-18	Hose, Black
11 20-19	Hose (Short)
□ Dispose of via household waste	
1 20-07	Banjo Fitting O-Ring
6 20-03	Flow Control O-Ring, Internal
8 20-03	Flow Control Cup Seal
9 20-03	Flow Control O-Ring, Internal
13 02-82	RT Cylinder Stud Gasket
15 20-02N	RT Piston U-Cup Seal

# A-5 Custom



**Take to nearest metal recycling facility.**

Part No.	Description
2 20-07	Banjo Fitting, Screw
3 20-07	Banjo Fitting, Body
5 20-03	Flow Control Adj. Screw
7 20-03	Flow Control Body
10 TA10060	A-5 Flow Control Adapter
12 TA10058	Flow Connector Fitting
14 02-81	RT Cylinder Stud
16 20-02N	RT Piston Body
18 20-02N	Piston



**Take to nearest plastic recycling facility that accepts**



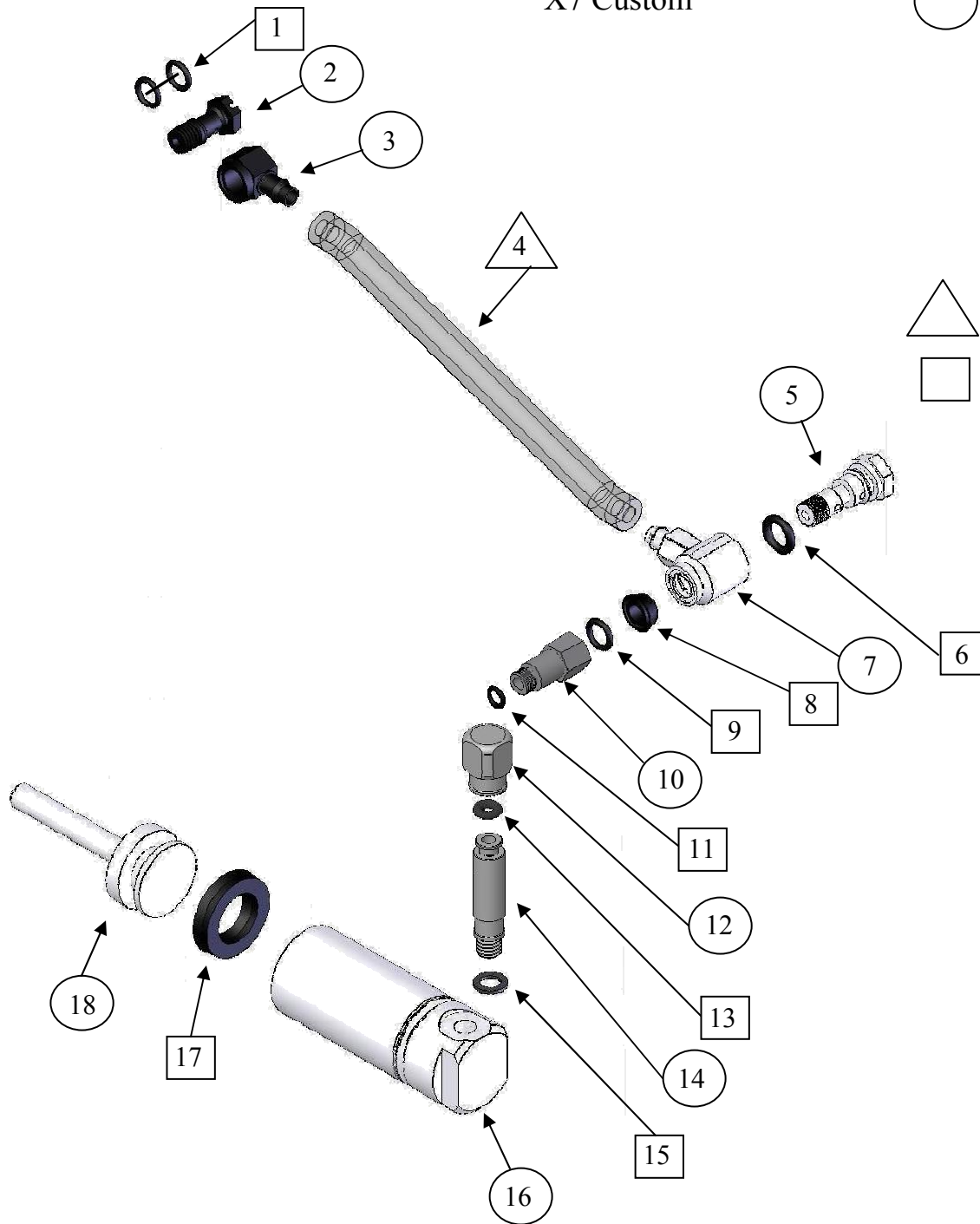
4 20-18 Hose, Black



**Dispose of via household waste**


1 20-07	Banjo Fitting O-Ring
6 20-03	Flow Control O-Ring, Internal
8 20-03	Flow Control Cup Seal
9 20-03	Flow Control O-Ring, Internal
11 02-84	O-Ring
13 FA-07	O-Ring
15 02-82	RT Cylinder Stud Gasket
17 20-02N	RT Piston U-Cup Seal

# X7 Custom



○ **Take to nearest metal recycling facility.**

Part No.	Description
2 20-07	Banjo Fitting, Screw
3 20-07	Banjo Fitting, Body
5 20-03	Flow Control Adj. Screw
7 20-03	Flow Control Body
10 TA10059	X-7 Flow Control Adapter
12 TA10058	Flow Connector Fitting
14 TA10057	RT Cylinder Stud
16 20-02N	RT Piston Body
18 20-02N	Piston

△ **Take to nearest plastic recycling facility that accepts** 

□ **Dispose of via household waste**

4 20-18	Hose, Black
1 20-07	Banjo Fitting O-Ring
6 20-03	Flow Control O-Ring, Internal
8 20-03	Flow Control Cup Seal
9 20-03	Flow Control O-Ring, Internal
11 02-84	O-Ring
13 FA-07	O-Ring
15 02-82	RT Cylinder Stud Gasket
17 20-02N	RT Piston U-Cup Seal